

JC54302

Commercial downlight IP54 35W non-dimmable 4000K 3960Lm



General Information

Product Group	Recessed Downlights
Product Range	LED commercial downlight
Range Name	Commercial Downlight
Product Weight	1.05kg
Finishes Available	White
Overall Dimensions	Ø158x75mm
Recommended Product Location	Commercial and retail applications
Minimum Void Requirement	200mm
Method Of Fix	Spring clips
Cut Out Ø	Ø160-170mm

JCC Lighting

Innovation Centre, Beeding Close, Southern Cross

Trading Estate, Bognor Regis, West Sussex, PO22 9TS

Company Registration Number: 03044848 | VAT Number: 918544112

T: 01243 838999 | F: 01243 838998 | sales@jcc.co.uk | www.jcc.co.uk

Ingress Protection (IP)	IP44
Recommended Fire Hood	JC93004
Origin Of Manufacture	China
Guarantee	5 year extended
Driver Manufacturer	Lifud
LED Manufacturer/Type	Citizen COB

Electrical

Input Voltage (V)	220-240vac
Secondary Running Current	850mA
Primary Running Current	0.2A
Operating Frequency (Hz)	50/60Hz
CC or CV	CC
Luminaire Circuit Wattage	35W
Sec - Voltage (V)	25-40vdc
Class	CLASS II
Output Voltage (V)	25-40vdc
Total Harmonic Distortion (THD)%	20%
EMC Compliant (EN55015)	YES
Input Electrical Connections	Live(L) Neutral(N) double insulated, no earth required
Dimmable	No

Thermals

Room Ambient Temperature Not To Exceed	45°C
Room Ambient Temperature	30°C
Max Luminaire Ambient Temp.	26°C

JCC Lighting

Innovation Centre, Beeding Close, Southern Cross
Trading Estate, Bognor Regis, West Sussex, PO22 9TS
Company Registration Number: 03044848 | VAT Number: 918544112
T: 01243 838999 | F: 01243 838998 | sales@jcc.co.uk | www.jcc.co.uk

Minimum Void Requirement	200mm
Operating Temperature Range	from -20°C to 45°C

Performance Data

Energy Rating	A+
Lumen Output	3960
Lumens Per Circuit Watt	113
LED Life (Hours)	50000
CRI: Ra	80
Colour Temperature (K)	4000K
Luminaire Beam Angle	60°
LOR (Light Output Ratio) %	100%

Construction

Main Chassis	Aluminium
Diffuser	Glass
Heat Sink	Aluminium
Seal Material	Silicon

Packaging

Luminaire Carton Dimensions	22.5x21.5x9.5cm
Quantity Per Outer Carton	12
Bar Code EAN Number	5052544081873
Packaged Weight	1.35kg

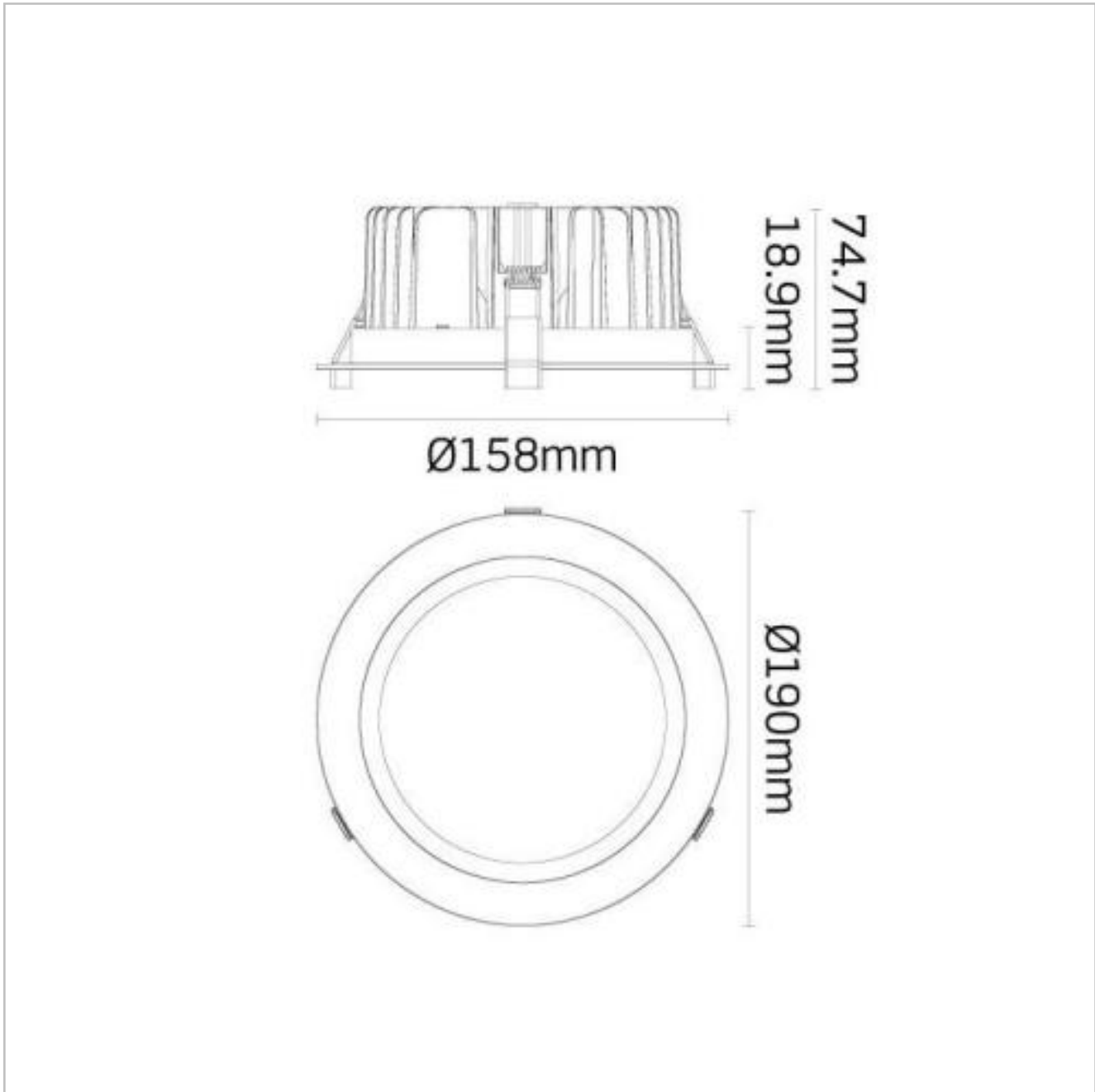
Standards & Approvals

Manufactured In Accordance To	BS EN 60598 -2-1
--------------------------------------	------------------

JCC Lighting

Innovation Centre, Beeding Close, Southern Cross
Trading Estate, Bognor Regis, West Sussex, PO22 9TS
Company Registration Number: 03044848 | VAT Number: 918544112
T: 01243 838999 | F: 01243 838998 | sales@jcc.co.uk | www.jcc.co.uk

CE Marked	yes
Batch Coded	yes
WEEE Symbol	yes
Certificate Of Conformity	Available on request
Accredited Members	LIA, ISO9001-2015, ISO14001-2015



Datasheet generated from <https://www.electrika.cloud> on 15 March 2018 08:44:11

JCC Lighting

Innovation Centre, Beeding Close, Southern Cross

Trading Estate, Bognor Regis, West Sussex, PO22 9TS

Company Registration Number: 03044848 | VAT Number: 918544112

T: 01243 838999 | F: 01243 838998 | sales@jcc.co.uk | www.jcc.co.uk