

New

integral™  
LED



UK Fire Rated

certification by UKAS EXOVA Warringtonfire

# Evofire IP65 Fire Rated Downlight

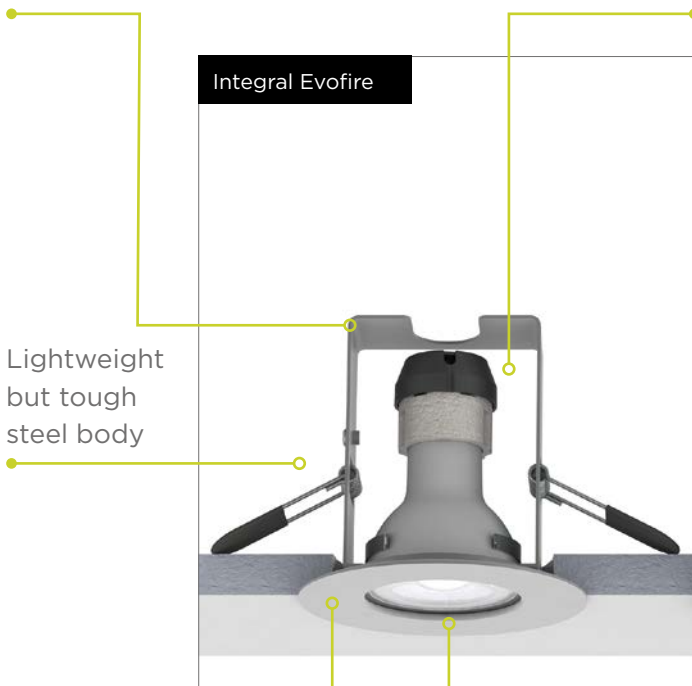
A new IP65 Fire Rated solution - engineered for LED  
**Evolutionary - Canless design and no intumescent material**

Selected models feature an Insulation Guard allowing loft insulation to be safely laid over the downlight

Evolutionary canless design allows more heat to disperse, prolonging LED lamp life - Patent pending\*

'Can' design traps heat, leading to reduced lamp life

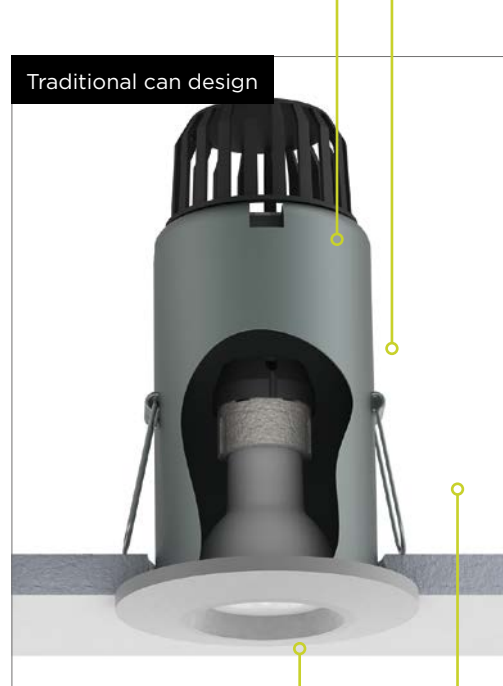
Fire protection situated behind the lamp and above the ceiling



Lightweight but tough steel body

Ultra-thin (1mm) steel 'blend-in' bezel for a discreet finish; downlight looks great in any ceiling

Fire protection positioned below the lamp (no need for intumescent material)



Bulky bezel up to 8mm

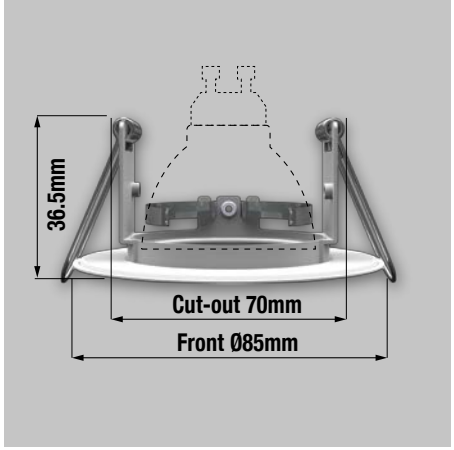
Insulation guard and bezel sold separately at additional cost

The Evofire Fire Rated Downlight is a safe and attractive fitting for an LED GU10 or MR16 lamp. Designed by Integral LED in the UK. Lamps installed in an Evofire run at up to 10°C cooler than a typical can-style fire rated downlight - this can extend the lifetime of your lamps.

New



Ultra-thin 'blend-in' bezel - only 1mm



- ✓ Low profile body - Ideal for shallow ceilings
- ✓ Lightweight steel construction, easy to remove from ceiling to change lamps
- ✓ Quality assured with 3 Year Warranty
- ✓ High Quality powder coated finish



Order Code	Description	EAN 13 Barcode
<b>Slimline</b>		
ILD LFR70D001	Round fire rated downlight, white, 70mm cutout, includes GU10 lamp holder	5055788228325
ILD LFR70D001-4	Round fire rated downlight, white, 70mm cutout, includes GU10 lamp holder 4x Pack	5055788228356
ILD LFR70D003	Round fire rated downlight, white, 70mm cutout, with integrated Insulation Cover guard, includes GU10 lamp holder	5055788228448
ILD LFR70D011	Round fire rated downlight, white, 70mm cutout, excludes GU10 lamp holder	5055788228905
ILD LFR70D012	Round fire rated downlight, white, 70mm cutout, with integrated Insulation Cover guard, excludes GU10 lamp holder	5055788228943

Please contact your local sales rep to place an order or call 0208 451 8700

[www.integral-led.com](http://www.integral-led.com)

Lamp not included\*