

Product Range: Hybrid9™

Fitting Reference: **JC94901**

Product Group: **LED – Recessed**

General Information	
Description	Hybrid9™ IP65 Downlight Mains Dimmable 38° 4000K
Finishes Available	Brushed Nickel/Chrome/White
Luminaire Weight	0.4kg
Recommended Product Location	Suitable for indoor use
Minimum Void Requirement	75mm
Method Of Fix	Spring Clips(provided)
Cut Out Ø	Ø 76mm
Max Angle Of Tilt & Rotation	N/A
Ingress Protection (IP)	65
Suitable For Zones	Zone 1
Recommended Fire Hood	N/A
Luminaire module replacements	SPR94901BN, SPR94901CH, SPR94901WH, SPR94903BN, SPR94903CH, SPR94903WH
Electrical	
Input Voltage To Driver	220-240V~
Operating Frequency Hz	50/60Hz
Output Supply To LED	N/A
CC or CV	N/A
Luminaire Circuit Wattage	8.5W
Primary Running Current	0.03A
Secondary Running Current	N/A
THD %	2.073
Class	Class I, must be earthed
EMC Compliant (EN55015)	Yes
Power Factor Correction	0.98
Input Electrical Connections	LEN loop in/loop out (LEVLINK 6way)
Dimmable	Yes
Thermals	
Max Luminaire Ambient Temp.	25°C
Max Driver Ambient Temp.	N/A
Driver Tc	N/A
Thermal Cut Out	N/A
Insulation Coverage	Loosely cover with mineral wool insulation only
Minimum Free Air Space	At least 75mm around the fitting

JCC Lighting

Innovation Centre, Beeding Close, Southern Cross Trading Est,
Bognor Regis, West Sussex, PO22 9TS

Company registration number: 03044646 | VAT number: 918544112

T: 01243 838999 | F: 01243 838998 | sales@jcc.co.uk | www.jcc.co.uk

Performance Data	
Lumen Output	750Lm
Lumens Per Circuit Watt	88LpcW
LED Life (Hours)	50,000
CRI: Ra	80
Colour Temperature (K)	4000
Luminaire Beam Angle	38°
LOR (%)	100%
Photometry Available	TBC
Construction	
Heat Sink	Aluminium
Main Chassis	N/A
Rim or Attachment	Die-cast Aluminium
Driver Housing	N/A
Reflector	N/A
Lens	38°
Diffuser	N/A
Packaging	
Luminaire Carton Dimensions	102x110x100mm
Quantity Per Outer Carton	20
Bar Code EAN Number	5052544050787(BN) / 5052544050794(CH) / 5052544050800(WH)
Packaged Weight	0.6Kg
Standards & Approvals	
In Accordance To	BS EN 60598-2-1/2-2
Driver ENEC Approval	N/A
CE Marked	Meets all European Standards for CE Mark
Batch Coded	Yes
Certificate Of Conformity	Available on Request
Quality Assurance System	QMS ISO9001:2008

JCC Lighting

Innovation Centre, Beeding Close, Southern Cross Trading Est,
Bognor Regis, West Sussex, PO22 9TS

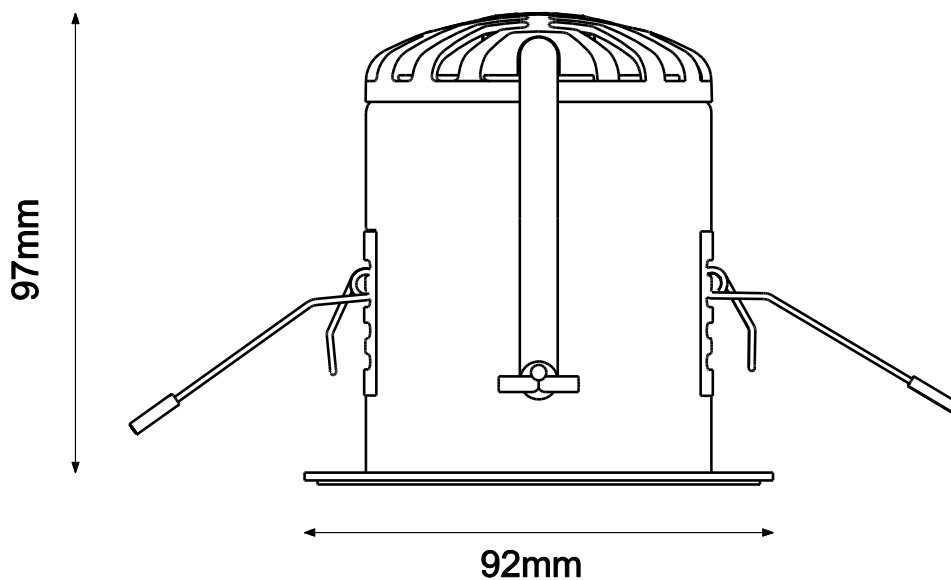
Company registration number: 03044646 | VAT number: 918544112

T: 01243 838999 | F: 01243 838998 | sales@jcc.co.uk | www.jcc.co.uk

JC Image



JC Profile Drawing



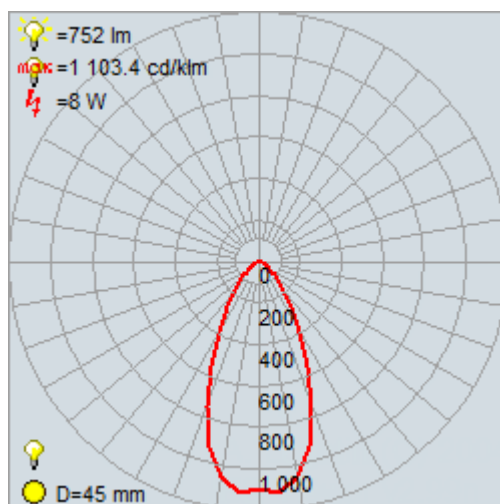
JCC Lighting

Innovation Centre, Beeding Close, Southern Cross Trading Est,
Bognor Regis, West Sussex, PO22 9TS

Company registration number: 03044646 | VAT number: 918544112

T: 01243 838999 | F: 01243 838998 | sales@jcc.co.uk | www.jcc.co.uk

JC Photometric Data



JCC Lighting

Innovation Centre, Beeding Close, Southern Cross Trading Est,
Bognor Regis, West Sussex, PO22 9TS

Company registration number: 03044646 | VAT number: 918544112

T: 01243 838999 | F: 01243 838998 | sales@jcc.co.uk | www.jcc.co.uk